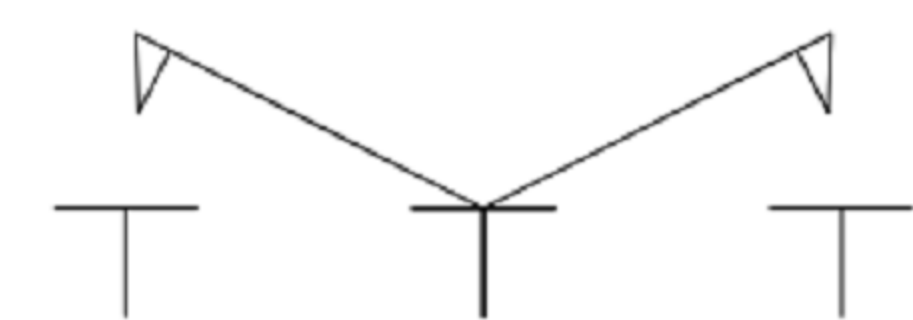
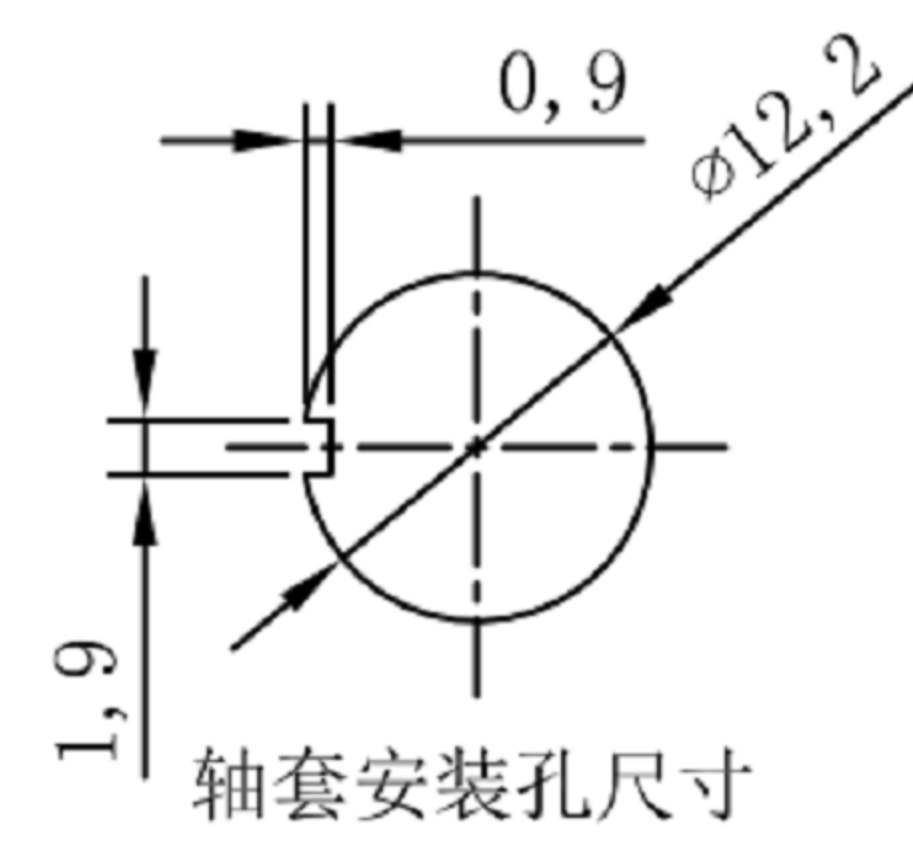


注: ①-⑤ 为重点检验尺寸。



ON - OFF - ON
电路图 (Circuitry)



轴套安装孔尺寸

Technical characteristics

SPECIFICATION: 15 A max. @ 125 VAC.
10 A max. @ 250 VAC.
MECHANICAL LIFE: 40,000 make-and-break cycles.
CONTACT RESISTANCE: 50mΩ max. initial @ 2-4VDC
100mA for both silver.
INSULATION RESISTANCE: 1000 MΩ min.
DIELECTRIC STRENGTH: 1500 VAC min.
OPERATING TEMPERATURE: -30°C to +85°C.

Materials

CASE: PF (UL 94V-0)
HOUSING: SPCC.
ACTUATOR: Alloy, nickel plated.
BUSHING: Alloy, nickel plated.
CONTACT/TERMINALS: Copper alloy silver plated.
RoHS



東莞市高迪電子有限公司
DONG GUAN GAO DI ELECTRONICS CO., LTD

TOLERANCE UNLESS OTHERWISE STATED:
Up to 5 ±0.2
Above 5 ~ 15 ±0.3
Above 15 ~ 30 ±0.4
Above 30 ~ 50 ±0.5
Angle ±0.3°

3RD. ANGEL'S

UNITS MM

DRAWN BY: Ming Ming Zou	DATE 07/23/13	MAT'L	TITLE ENCODER
CHECKED BY: Ning Ning Su	DATE 07/23/13	FINISH	MODLE ENCODER
APPROVED BY: Jia Xiang	DATE 07/23/13	SCALE 1:1	DWG NO. GD-KN3-A-101-GB1
SHEET NO. 1 of 1		PART NO.	SIZE A4 VER R2

2	公差及料號更新	Jack	072313
1	圖面更新	Frank Wu	021012
ITEM NO.	DESCRIPTION	DRAWN	DATE